

LM1445 LM1745



TELEHANDLERS TURBO

PERFECT VISIBILITY IN ALL DIRECTIONS

OUTSTANDING STABILITY AND MANOEVRABILITY

CNH ENGINE COMPLYING WITH EUROPEAN

STANDARDS 97/68/EC - TIER 3



BUILT AROUND YOU

LMI 445

SPECIFICATIONS



ENGINE

Make and model CNH 4TAA 4,5
 Type Turbo aftercooler
 Total displacement 4.5 l
 Net flywheel power (ISO 14396) 88 kw / 118 hp
 Max torque 525@1250 rpm Nm



HYDRAULIC SYSTEM

Type Load Sensing
 Hydraulic controls Servo
 Simultaneous movement yes
 Hydraulic pump gear
 Hydraulic flow 115 l/min
 Hydraulic pressure 240 bar



TRANSMISSION

Type PowerShift
 Forward/Reverse speeds 4/3
 Max speed on road** 35 Km/h
 ** Max. speed limited according to the country's legislations



CAPACITIES

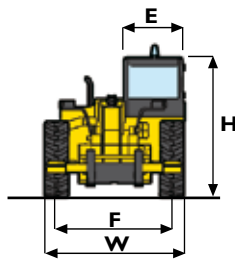
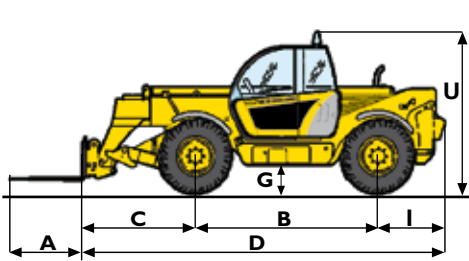
Fuel tank 135 l
 Hydraulic tank 180 l



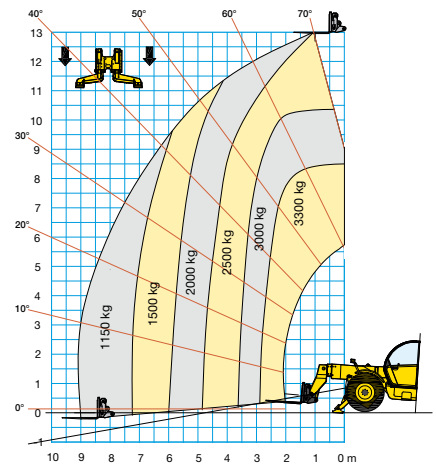
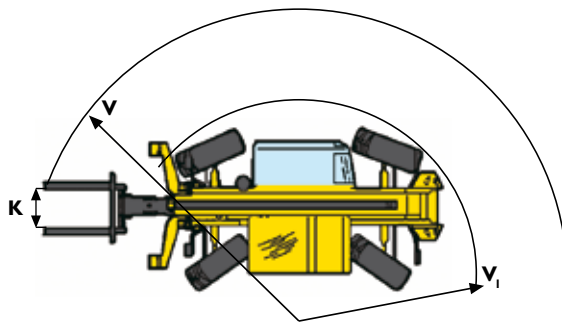
TYRES

15.5x22.5 MICHELIN
 15.5x25 MICHELIN
 405/70x24 SOLIDEAL
 400/80x24 DUNLOP
 405/70x24 MITAS
 13.0X24 GOODYEAR

DIMENSIONS (with MITAS 405/70x24)



A	mm	1200
B	mm	3120
C	mm	1880
D	mm	6100
E	mm	1000
F	mm	2050
G	mm	402
H	mm	2450
I	mm	1100
K	mm	1260
T	mm	4552
U	mm	2730
V	mm	5390
V₁	mm	3890
W	mm	2445



LMI 445 TURBO

EN1459/B

PERFORMANCE		LMI 445 with large Stab.
Maximum lift capacity (at 500 mm from fork heel)	kg	4500/4000*
Maximum lift height	m	13.55/13.30*
Lift capacity at maximum reach	kg	1500/650*
Lift capacity at maximum lift height	kg	3600/1700*
Reach fully raised	m	0.30/1.00*
Maximum forward reach	m	9.33/9.33*
Height with max load (4000/4500 kg)	m	11.40/7.30*
Break out force	daN	7750/7750*
Operating weight	kg	11460

*Machine with stabilizers up